

Up to PL e of EN ISO 13849-1 PNOZ X2.3P



Safety relay for monitoring E-STOP pushbuttons and safety gates.

Unit features

- ▶ Positive-guided relay outputs:
 - 3 safety contacts (N/O), instantaneous
- ▶ Connection options for:
 - E-STOP pushbutton
 - Safety gate limit switch
 - Reset button
- ▶ LED indicator for:
 - Switch status channel 1/2
 - Supply voltage
- ▶ Plug-in connection terminals (either spring-loaded terminal or screw terminal)
- ▶ See order reference for unit types

- ▶ The safety function remains effective in the case of a component failure.
- ▶ The correct opening and closing of the safety function relays is tested automatically in each on-off cycle.
- ▶ The unit has an electronic fuse.

Approvals

	PNOZ X2.3P
	◆
	◆
	◆

Unit description

The safety relay meets the requirements of EN 60947-5-1, EN 60204-1 and VDE 0113-1 and may be used in applications with

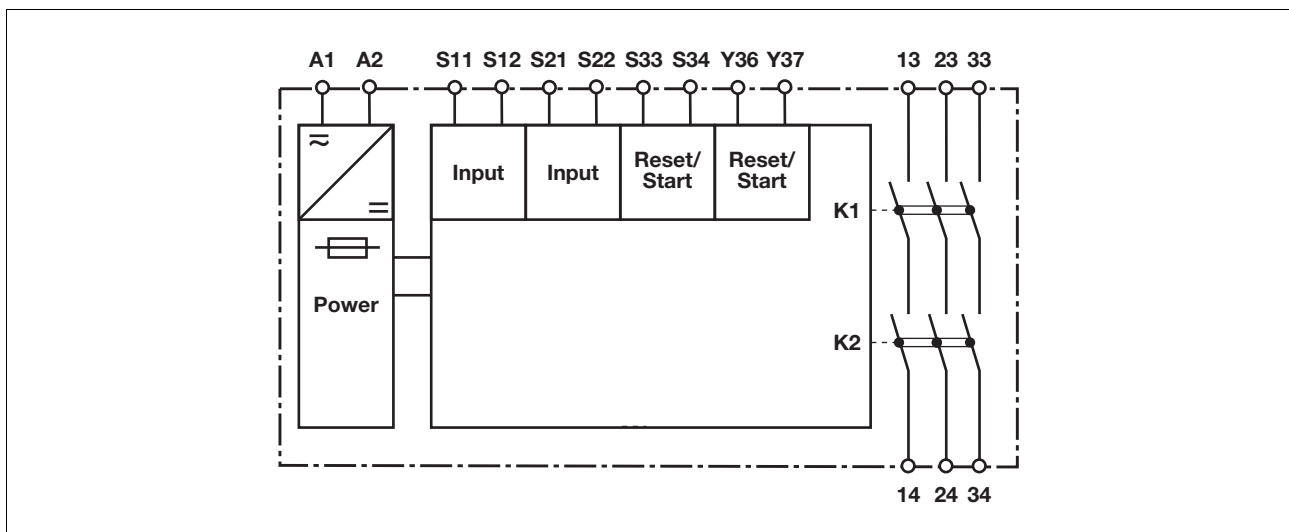
- ▶ E-STOP pushbuttons
- ▶ Safety gates

Safety features

The relay meets the following safety requirements:

- ▶ The circuit is redundant with built-in self-monitoring.

Block diagram

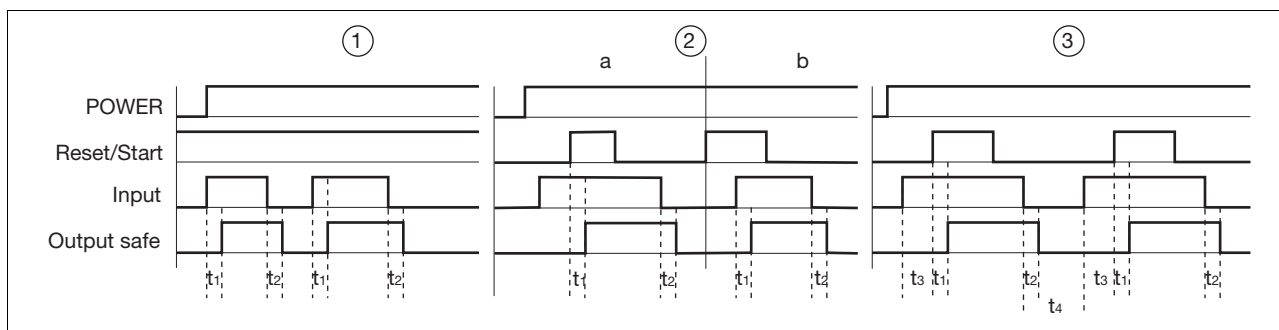


Up to PL e of EN ISO 13849-1 PNOZ X2.3P

Function description

- ▶ Single-channel operation: no redundancy in the input circuit, earth faults in the reset circuit are detected.
- ▶ Dual-channel operation with detection of shorts across contacts: redundant input circuit, detects
 - earth faults in the reset and input circuit,
- short circuits in the input circuit and, with a monitored reset, in the reset circuit too,
- shorts between contacts in the input circuit.
- ▶ Automatic start: Unit is active once the input circuit has been closed.
- ▶ Manual reset: Unit is active once the input circuit is closed and then the reset circuit is closed.
- ▶ Monitored reset: Unit is active once the input circuit is closed and once the reset circuit is closed after the waiting period has elapsed (see technical details).
- ▶ Increase in the number of available instantaneous safety contacts by connecting contact expansion modules or external contactors.

Timing diagram



Key

- ▶ Power: Supply voltage
- ▶ Reset/Start: Reset circuit S33-S34
- ▶ Input: Input circuits S11-S12, S21-S22
- ▶ Output safe: Safety outputs 13-14, 23-24, 33-34
- ▶ ①: Automatic reset
- ▶ ②: Manual reset
- ▶ ③: Monitored reset
- ▶ a: Input circuit closes before reset circuit
- ▶ b: Reset circuit closes before input circuit
- ▶ t_1 : Switch-on delay
- ▶ t_2 : Delay-on de-energisation
- ▶ t_3 : Waiting period
- ▶ t_4 : Recovery time

Wiring

Please note:

- ▶ Information given in the “Technical details” must be followed.
- ▶ Outputs 13-14, 23-24, 33-34 are safety contacts.
- ▶ To prevent contact welding, a fuse should be connected before the output contacts (see technical details).
- ▶ Calculation of the max. cable runs I_{max} in the input circuit:

$$I_{max} = \frac{R_{I_{max}}}{R_l / km}$$

$R_{I_{max}}$ = max. overall cable resistance (see technical details)

R_l / km = cable resistance/km

- ▶ Use copper wire that can withstand 60/75 °C.
- ▶ Sufficient fuse protection must be provided on all output contacts with capacitive and inductive loads.

Up to PL e of EN ISO 13849-1 PNOZ X2.3P

Preparing for operation

► Supply voltage

Supply voltage	AC	DC

► Input circuit

Input circuit	Single-channel	Dual-channel
E-STOP without detection of shorts across contacts		
E-STOP with detection of shorts across contacts		
Safety gate without detection of shorts across contacts		
Safety gate with detection of shorts across contacts		

Up to PL e of EN ISO 13849-1 PNOZ X2.3P

▶ Reset circuit

Reset circuit	E-STOP wiring (single-channel) Safety gate (single-channel)	E-STOP wiring (dual-channel) Safety gate (dual-channel)
Automatic reset		
Manual reset		
Monitored reset		

▶ Feedback circuit

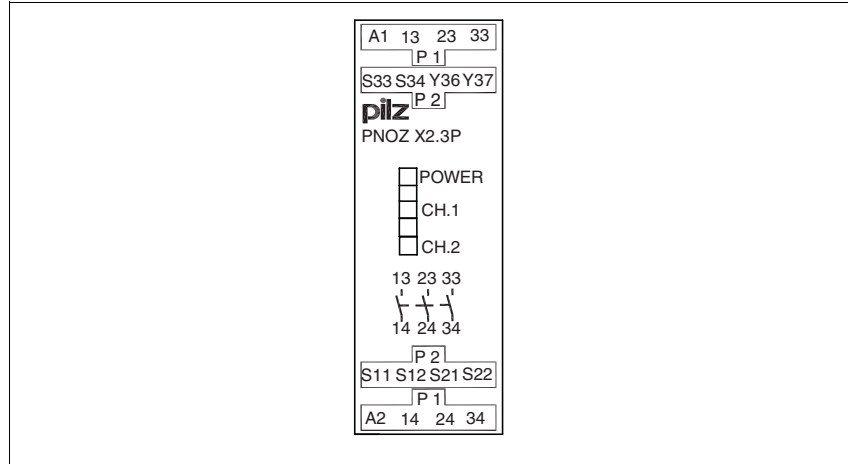
Feedback circuit	Automatic reset	Monitored reset
Contacts from external contactors		

▶ Key

S1/S2	E-STOP/safety gate switch
S3	Reset button
	Switch operated
	Gate open
	Gate closed

Up to PL e of EN ISO 13849-1 PNOZ X2.3P

Terminal configuration

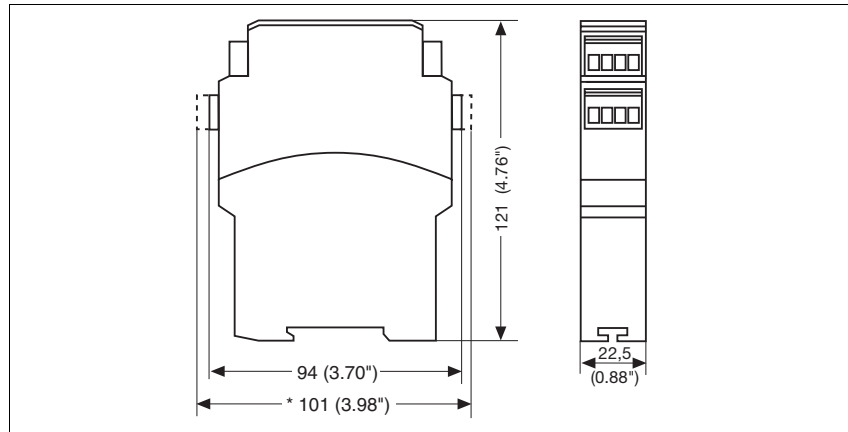


Installation

- ▶ The safety relay should be installed in a control cabinet with a protection type of at least IP54.
- ▶ Use the notch on the rear of the unit to attach it to a DIN rail.
- ▶ Ensure the unit is mounted securely on a vertical DIN rail (35 mm) by using a fixing element (e.g. retaining bracket or an end angle).

Dimensions

* with spring-loaded terminals

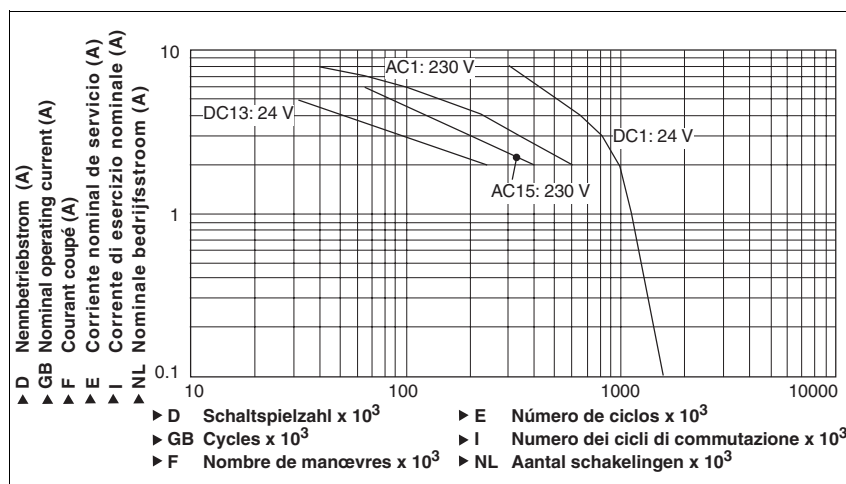


Up to PL e of EN ISO 13849-1 PNOZ X2.3P

Notice

This data sheet is only intended for use during configuration. For installation and operation, please refer to the operating instructions supplied with the unit.

Service life graph



Technical details

Electrical data

Supply voltage	
Supply voltage U _B AC/DC	24 V
Voltage tolerance	-15 %/+10 %
Power consumption at U _B AC	4.0 VA
Power consumption at U _B DC	2.0 W
Frequency range AC	50 - 60 Hz
Residual ripple DC	160 %
Voltage and current at	
Input circuit DC: 24.0 V	25.0 mA
Reset circuit DC: 24.0 V	25.0 mA
Feedback loop DC: 24.0 V	25.0 mA
Number of output contacts	
Safety contacts (S) instantaneous:	3
Utilisation category in accordance with EN 60947-4-1	
Safety contacts: AC1 at 240 V	I _{min} : 0.01 A , I _{max} : 6.0 A P _{max} : 1500 VA
Safety contacts: DC1 at 24 V	I _{min} : 0.01 A , I _{max} : 6.0 A P _{max} : 150 W
Utilisation category in accordance with EN 60947-5-1	
Safety contacts: AC15 at 230 V	I _{max} : 5.0 A
Safety contacts: DC13 at 24 V (6 cycles/min)	I _{max} : 4.0 A
Contact material	AgSnO2 + 0.2 µm Au
External contact fuse protection (I _K = 1 kA) to EN 60947-5-1	
Blow-out fuse, quick	
Safety contacts:	6 A
Blow-out fuse, slow	
Safety contacts:	4 A
Circuit breaker 24 VAC/DC, characteristic B/C	
Safety contacts:	4 A

Up to PL e of EN ISO 13849-1 PNOZ X2.3P

Electrical data	
Max. overall cable resistance R_{lmax} input circuits, reset circuits	
single-channel at U_B DC	30 Ohm
single-channel at U_B AC	30 Ohm
dual-channel with detect. of shorts across contacts at U_B DC	20 Ohm
dual-channel with detect. of shorts across contacts at U_B AC	40 Ohm
Min. input resistance in the starting torque	21 Ohm
Safety-related characteristic data	
PL in accordance with EN ISO 13849-1	PL e (Cat. 4)
Category in accordance with EN 954-1	Cat. 4
SIL CL in accordance with EN IEC 62061	SIL CL 3
PFH in accordance with EN IEC 62061	2.31E-09
SIL in accordance with IEC 61511	SIL 3
PFD in accordance with IEC 61511	2.03E-06
t_M in years	20
Times	
Switch-on delay	
with automatic reset typ.	50 ms
with automatic reset max.	90 ms
with automatic reset after power on typ.	60 ms
with automatic reset after power on max.	100 ms
with manual reset typ.	40 ms
with manual reset max.	90 ms
on monitored reset with rising edge typ.	40 ms
on monitored reset with rising edge max.	70 ms
Delay-on de-energisation	
with E-STOP typ.	12 ms
with E-STOP max.	30 ms
with power failure typ.	60 ms
with power failure max.	100 ms
Recovery time at max. switching frequency 1/s	
after E-STOP	50 ms
after power failure	150 ms
Waiting period with a monitored reset	
with rising edge	210 ms
Min. start pulse duration with a monitored reset	
with rising edge	40 ms
Simultaneity, channel 1 and 2	∞
Supply interruption before de-energisation	20 ms
Environmental data	
EMC	EN 60947-5-1, EN 61000-6-2
Vibration to EN 60068-2-6	
Frequency	10 - 55 Hz
Amplitude	0.35 mm
Climatic suitability	EN 60068-2-78
Airgap creepage in accordance with EN 60947-1	
Pollution degree	2
Overvoltage category	III
Rated insulation voltage	250 V
Rated impulse withstand voltage	4.00 kV
Ambient temperature	-10 - 55 °C
Storage temperature	-40 - 85 °C
Protection type	
Mounting (e.g. cabinet)	IP54
Housing	IP40
Terminals	IP20

Up to PL e of EN ISO 13849-1 PNOZ X2.3P

Mechanical data

Housing material	
Housing	PPO UL 94 V0
Front	ABS UL 94 V0
Cross section of external conductors with screw terminals	
1 core flexible	0.25 - 2.50 mm² , 24 - 12 AWG No. 777304
2 core, same cross section, flexible:	
with crimp connectors, without insulating sleeve	0.25 - 1.00 mm² , 24 - 16 AWG No. 777304
without crimp connectors or with TWIN crimp connectors	0.20 - 1.50 mm² , 24 - 16 AWG No. 777304
Torque setting with screw terminals	0.50 Nm No. 777304
Cross section of external conductors with spring-loaded terminals: Flexible with/without crimp connectors	0.20 - 1.50 mm² , 24 - 16 AWG No. 787304
Spring-loaded terminals: Terminal points per connection	2 No. 787304
Stripping length	8 mm No. 787304
Dimensions	
Height	101.0 mm No. 787304 94.0 mm No. 777304
Width	22.5 mm
Depth	121.0 mm
Weight	200 g No. 787304 205 g No. 777304

No. stands for order number.

The standards current on **2009-11** apply.

Conventional thermal current

Number of contacts	I_{th} (A) at U_B DC	I_{th} (A) at U_B AC
1	6.00 A	6.00 A
2	6.00 A	6.00 A
3	5.00 A	5.00 A

Order reference

Type	Features	Terminals	Order no.
PNOZ X2.3P C	24 VAC/DC	Spring-loaded terminals	787 304
PNOZ X2.3P	24 VAC/DC	Screw terminals	777 304